

Landing gears · Modul CH

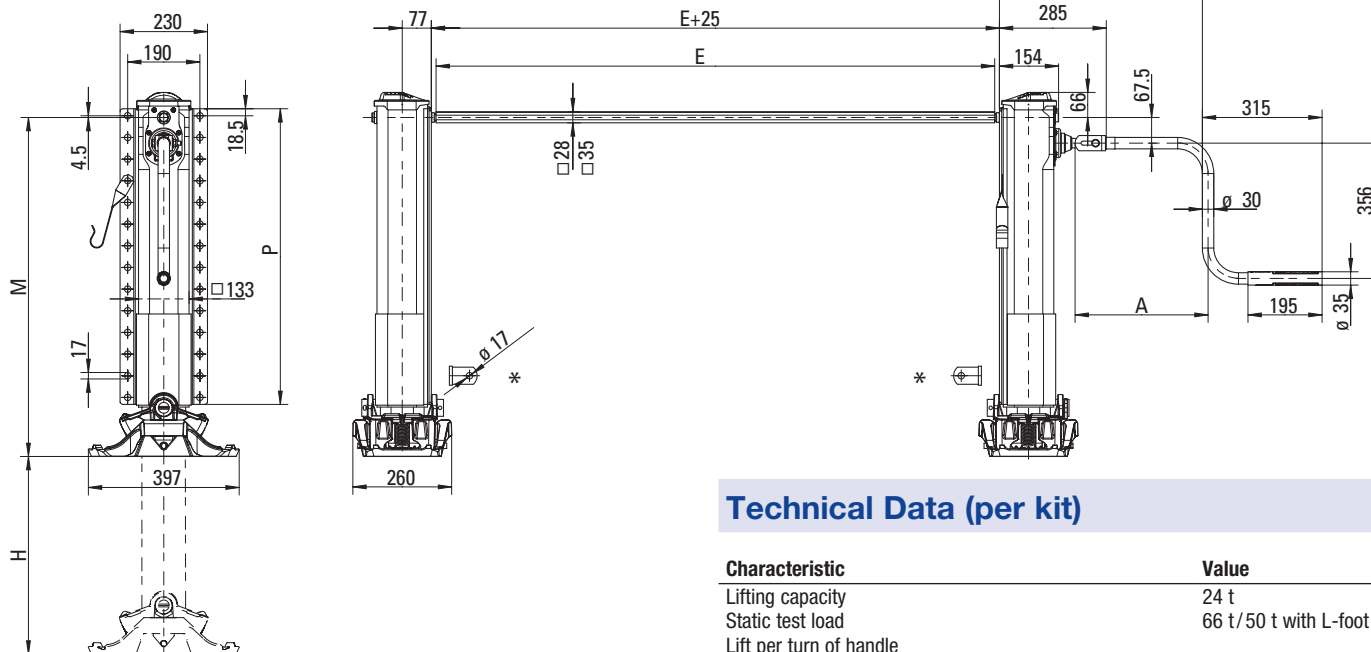
Advantages at a glance

- Heavy duty
- Maximum resistance to bending
- Shock resistant
- Increased static test load (66 t)

Technical Features

- Full length back plate for high mounting variability
- Reinforcement for maximum resistance to bending
- Heavy duty bearing for better shock resistance
- Reinforced inner tube
- Also available with two side operation and special crank
- Reinforced roller foot (L-foot)

Technical Specification



Technical Data (per kit)

Characteristic	Value
Lifting capacity	24 t
Static test load	66 t / 50 t with L-foot
Lift per turn of handle	
- Low gear	0,9 mm
- High gear	15,0 mm
Crank force at 16 t lifting capacity	210 N

Selection table / Versions available

Order No.	M (mm)	H (mm)	P (mm)	Back plate	Foot	Order No.	M (mm)	H (mm)	P (mm)	Back plate	Foot
CH124410000	940	560	828	full length	S	CH127410000	790	430	678	full length	S
CH124420000	940	560	828	full length	A	CH127420000	790	430	678	full length	A
CH124440000	940	560	828	full length	T	CH127440000	790	430	678	full length	T
CH124450000	925	560	828	full length	L	CH127450000	775	430	678	full length	L
CH125410000	890	520	778	full length	S	CH128410000	740	380	628	full length	S
CH125420000	890	520	778	full length	A	CH128420000	740	380	628	full length	A
CH125440000	890	520	778	full length	T	CH128440000	740	380	628	full length	T
CH125450000	875	520	778	full length	L	CH128450000	725	380	628	full length	L
CH126410000	840	470	728	full length	S	CH130410000	690	330	578	full length	S
CH126420000	840	470	728	full length	A	CH130420000	690	330	578	full length	A
CH126440000	840	470	728	full length	T	CH130440000	690	330	578	full length	T
CH126450000	825	470	728	full length	L	CH130450000	675	330	578	full length	L

Remark:

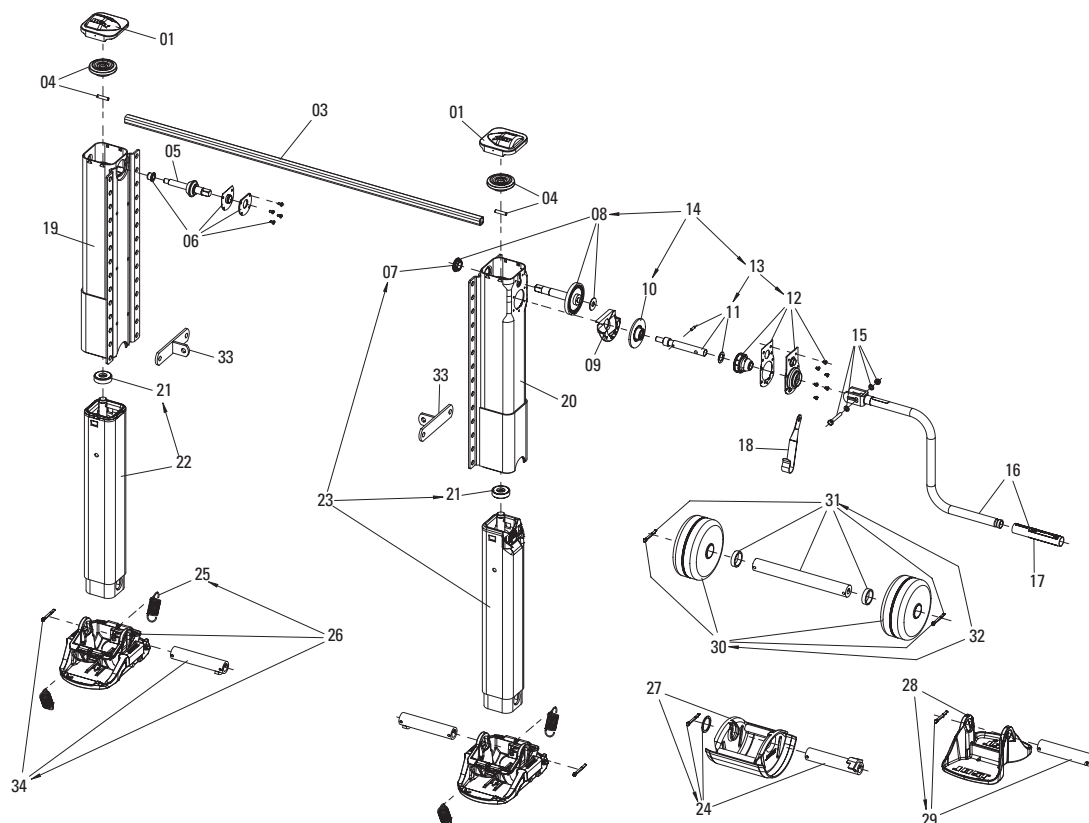
* Brace lugs will be supplied unassembled.

Crank handles and connection shafts need to be ordered separately and are shipped unassembled.

Order numbers and dimensions of A, B, C and E can be found on page 132.

Modul CH

Spare parts



Item	Description	Remark	Order No.	per kit
01	Cover with bolts		JS E0046100	2
03	see individual components			1
04	Bevel gear with bolts		JS E0058600	2
05	Shaft		JS E0001500	1
06	Bearing	compl.	JS E0046200	1
07	Shaft		JS E0001800	1
08	Shaft with bearing		JS E0058700	1
09	Grease tank		JS E0002000	1
10	Gear		JS E0055800	1
11	Crankshaft	compl.	JS E0046500	1
12	Bearing holder	compl.	JS E0058800	1
13	Crankshaft and bearing holder	compl., with 11 + 12	JS E0056600	1
14	Drive	compl., with 08, 10 + 13	JS E0083700	1
15	Bolts, washers, nuts		JS E0043100	1
16	see individual components			1
17	Crank bushing		JS E0042700	1
18	Crank parking hook	for crank 350 mm (JS U01)	JS E0040200	1
18	Crank parking hook	for crank 415-480 mm (JS U02-JS U04)	JS E0040201	1
18	Crank parking hook	for crank 520-620 mm (JS U05-JS U08)	JS E0040202	1
19	* Mh-24/940 shaft left		JS E0062604	1
19	* Mh-25/890 shaft left		JS E0062605	1
19	* Mh-26/840 shaft left		JS E0062606	1
19	* Mh-27/790 shaft left		JS E0062607	1
19	* Mh-28/740 shaft left		JS E0062608	1
19	* Mh-30/690 shaft left		JS E0062609	1
20	* Mh-24/940 shaft right		JS E0062504	1
20	* Mh-25/890 shaft right		JS E0062505	1
20	* Mh-26/840 shaft right		JS E0062506	1
20	* Mh-27/790 shaft right		JS E0062507	1
20	* Mh-28/740 shaft right		JS E0062508	1
20	* Mh-30/690 shaft right		JS E0062509	1
21	Axial bearing		JS E0066400	2

Item	Description	Remark	Order No.	per kit
22	* Mh-24/940 inner tube l. + spindle and bearing	with 21	JS E0063004	1
22	* Mh-25/890 inner tube l. + spindle and bearing	with 21	JS E0063005	1
22	* Mh-26/840 inner tube l. + spindle and bearing	with 21	JS E0063006	1
22	* Mh-27/790 inner tube l. + spindle and bearing	with 21	JS E0063007	1
22	* Mh-28/740 inner tube l. + spindle and bearing	with 21	JS E0063008	1
22	* Mh-30/690 inner tube l. + spindle and bearing	with 21	JS E0063009	1
23	* Mh-24/940 inner tube r. + spindle and bearing	with 21 + 07	JS E0062904	1
23	* Mh-25/890 inner tube r. + spindle and bearing	with 21 + 07	JS E0062905	1
23	* Mh-26/840 inner tube r. + spindle and bearing	with 21 + 07	JS E0062906	1
23	* Mh-27/790 inner tube r. + spindle and bearing	with 21 + 07	JS E0062907	1
23	* Mh-28/740 inner tube r. + spindle and bearing	with 21 + 07	JS E0062908	1
23	* Mh-30/690 inner tube r. + spindle and bearing	with 21 + 07	JS E0062909	1
24	Shaft	compl.	JS E0083600	2
25	Spring		JS E0012900	4
26	S foot	compl., with 24 + 25	JS D01CH	2
27	A foot	compl., with 24	JS D02CH	2
28	T foot	compl., with 29	JS D04CH	2
29	Shaft	compl. for T foot	JS E0083601	2
30	Wheels with split pins		JS E0083800	2
31	Shaft	compl. for R-Foot	JS E0083500	2
32	R-Foot	compl., with 30 + 31	JS D05CH	2
33	Angle		JS E010.001	2
34	Shaft	compl. for S foot**	JS E0102600	2
35	Plate-T foot	compl. with 36	JS10	2
36	Shaft	compl. for T foot	JS 1118-0002	2

* with the roller foot version the installation height Mh is reduced by 15 mm

** Axle until September 2008 JS E008.3600 (2 per set)

** Axle from September 2008 (from 080912 0359815 JS E010.2600 (2 per set))

Individual components

Item	Description	Remark	Order No.	per kit	Item	Description	Remark	Order No.	per kit
03	Connection shaft 1340 mm		JS L01	1	16	Crank 350 mm w. parking hook	with 15, 17 + 18	JS U01	1
03	Connection shaft 1450 mm		JS L02	1	16	Crank 415 mm w. parking hook	with 15, 17 + 18	JS U02	1
03	Connection shaft 1470 mm		JS L03	1	16	Crank 450 mm w. parking hook	with 15, 17 + 18	JS U03	1
03	Connection shaft 1500 mm		JS L04	1	16	Crank 480 mm w. parking hook	with 15, 17 + 18	JS U04	1
03	Connection shaft 1505 mm		JS L05	1	16	Crank 520 mm w. parking hook	with 15, 17 + 18	JS U05	1
03	Connection shaft 1575 mm		JS L06	1	16	Crank 570 mm w. parking hook	with 15, 17 + 18	JS U07	1
03	Connection shaft 1605 mm		JS L07	1	16	Crank 620 mm w. parking hook	with 15, 17 + 18	JS U08	1
03	Connection shaft 1635 mm		JS L08	1					
03	Connection shaft 1700 mm		JS L09	1					
03	Connection shaft 1790 mm		JS L10	1					

